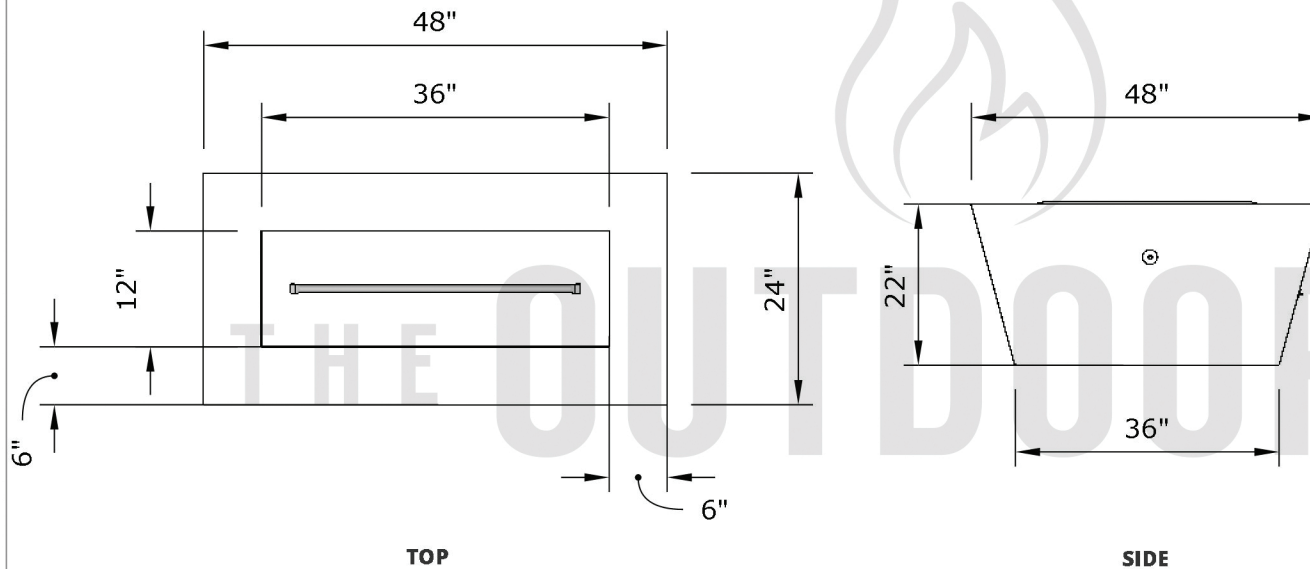


Replacement Part Numbers



Mesa - 48" Fire Pit

| | |
|-------------------------------------|-----------|
| Page Number | 1 of 1 |
| Author: Bryant Uribe | 4/13/2018 |
| Approved By: Gabriel Estrada | 4/13/2018 |

| | |
|-----------------------------|---|
| Part Number | OPT-CPRTT4824, OPT-CSTT4824, OPT-SSTT4824 |
| Material | Copper / Steel / Stainless Steel |
| Finishes | Copper, Stainless Steel, Corten Steel |
| Gas Type | Natural Gas (-NG) or Liquid Propane (-LP) |
| Weight | 20 lbs. |
| BTUs | 45,000 |
| Suggested Fire Glass | 50 lbs. |
| Access Door | Yes |

| ITEM NO. | REPLACEMENT PART NUMBER | QTY. |
|----------|-------------------------|------|
| 1 | OPT-168 | 1 |
| 2 | OPT-256 | 1 |
| 3 | OPT-LATCH | 1 |

Proprietary & Confidential: The information contained in this drawing is the sole property of **The Outdoor Plus**. Any reproduction or as a whole without written permission of **The Outdoor Plus** is prohibited.